

ProxerStecker[®]

230V and 400V WITH RFID PROXIMITY CARD



RFID proximity card access control terminal, Ethernet network controllable power socket strip, rights management

Only authorised persons can use the device connected to the plugs of ProxerStecker. For example you can specify in the software running at the Budapest office of your firm that only József Kovács can use the bench lathe at your Szolnok workshop, because his colleague, Kálmán Kis missed the latest occupational safety training. The connected device is powered only when József Kis identifies himself with his card, but Kálmán can not start it.

Operation

After an RFID proximity card (can be the same identity card used by the firm) is inserted into the card slot of ProxerStecker, the system checks if the card owner is authorised or not. If yes, power is switched on till the card is present in the slot. By removing the card, the power switches off.

By using the control software on the supervisor computer it can be seen and listed - with the appropriate privileges - who, when and for how long used the system. Power switch-off or program module enabling/disabling is also possible over the Ethernet network or internet.



With the WH subtype of ProxerStecker the amount of consumed energy can also be measured, and can be listed, summarized on the supervisor computer. If the prepaid balance on the card runs out, power automatically switches off.

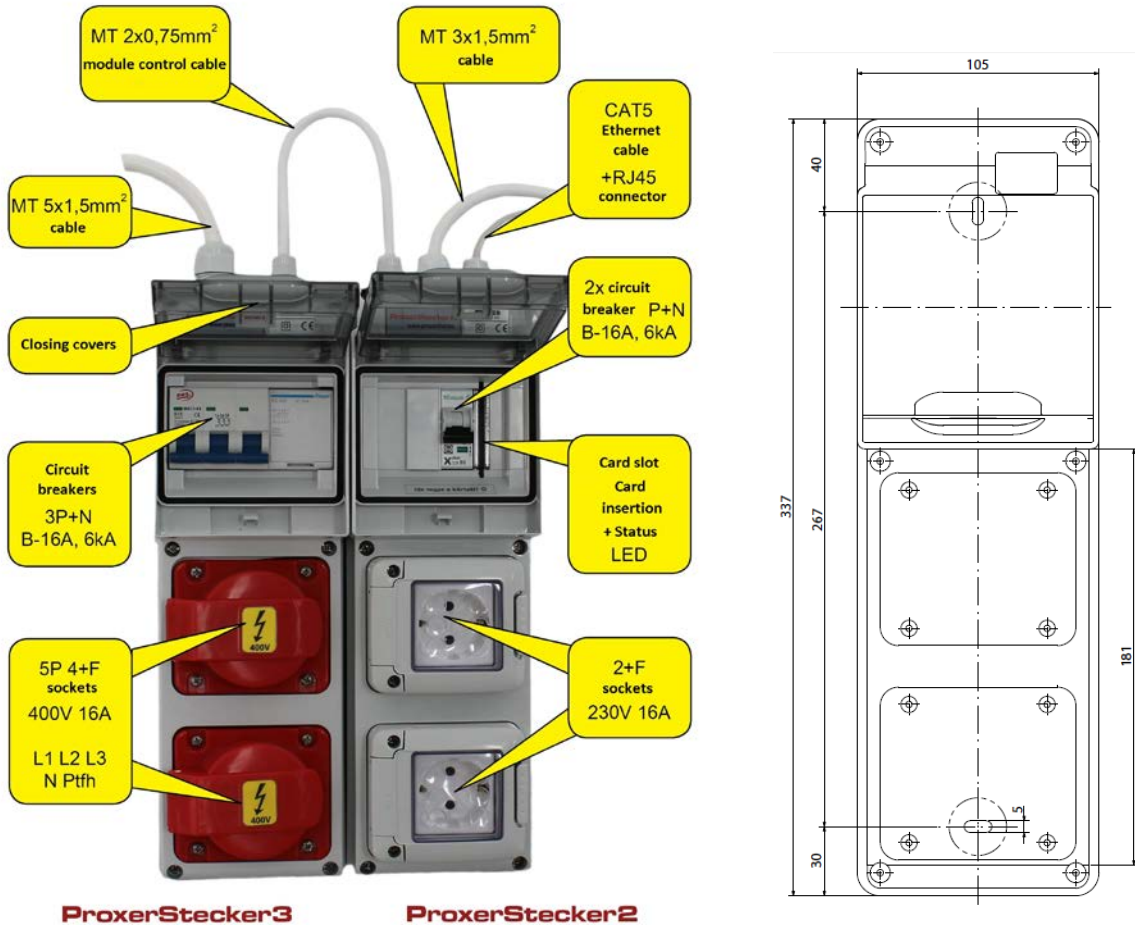
Application examples

- Authorise the usage of machines with risk of accidents only for qualified persons, with entitlement check and logging
- Sorting and authorising persons for operating a specific machine according to occupational safety and health, fire protection and other regulations.
- Enabling temporary services to authorised persons with measuring, logging and billing.
- Restarting remote servers (HOSTING)
- Restarting remote modems, switches, routers or locked-up systems (RESET) by switching off and on power
- Switching devices on and off remotely

Technical characteristics		
	ProxerStecker2 terminal	ProxerStecker3 expansion module
Sockets / Load	2+F, AC 230V, 16A, 50Hz	5P, 400V 16A
Connections	RJ45 10/100 MB Ethernet	
Cable type	CAT5	

Interface	10/100BaseT Ethernet IEE802	
Serial RS485 interface (Serial over IP converter) (option)	optional: 1200 – 115 200 Baud	
Restart	MCB (Miniature Circuit Breaker), with remote switch off	
Operation status indicator	1 piece LED	
Real-Time Clock and CMOS Memory	Yes	
Password protection	Password can be retrieved, listed or changed Name can be assigned in WorkTime software	
Event logging	Event logging in the internal non-volatile memory	
Relay	Relay contact is open by default, closes when controlled	Relay contact is open by default Control from ProxerStecker 2
Firmware upgrade	Firmware can be upgraded from network	
IP protection, housing	Outdoor IP 65i housing, ideal for in and outdoor usage, aesthetic design.	Outdoor IP 65i housing, ideal for in and outdoor usage, aesthetic design.
Dimensions	105 mm x 335 mm x 140/73 mm	105 mm x 335 mm x 140/80 mm
Weight	1,25 kg	1,50 kg
Operating temperature	-25 - +50 °C	-25 - +50 °C
Storage temperature	-40 - +60 °C	-40 - +60 °C
Operating relative humidity	max. 80%	max. 80%
Storage relative humidity	max. 90%	max. 90%

Structure



In the picture ProxerStecker2 is shown on the right (2+F 230V 16A module with card reader) expanded with ProxerStecker3 (5P 400V, 16A) module on the left.

ProxerStecker consists of two basic modules, two devices providing energy with 2 and 4 sockets. The aesthetic and protected housing equipped device can be mounted to wall or machine frame. 400/230V power input is supplied through terminal blocks and an Ethernet connection is also required. Optionally Wi-Fi connection is also available.

The 230V 16A load sockets are switchable off and on via computer.

Basic modules can be expanded with 3-phase modules consisting 3x 400V 16A sockets. Each socket and phase is protected with MCB.

Procontrol ProxerStecker is constructed in reliable Gewiss frame with IP65 protection, equipped with industrial connectors and consists a Procontrol made RFID card reader, circuit breakers, microcontroller based IP electrical main board.

The RFID card reader of the main board is 125 kHz Emmarin EM4102 compatible by default, but other types (Mifare, Tiris) are also available.


The readability of the inserted card and reading success is indicated by a built-in status LED.

Card acceptance after authorisation is also indicated and power is supplied immediately. If the card is left in the reading slot, the system checks it at regular intervals. At the event of removal a report is sent to the central software and power is switched off immediately in the sockets.

Network connections. remote control	
Ethernet	Built in Ethernet interface with cable output 10/100BaseT Ethernet IEE802 10/100BaseT Ethernet/LAN connection
Ethernet status LEDs	LINK establishment and 10/100 Mbit operation modes
Remote management	<ul style="list-style-type: none"> • Web interface / Web browser. All operation systems and browsers are supported. Interface is in English or Hungarian (selectable) • Telnet • PCSW protocol • Command line remote management, Perl script, PHP script
Event logging	Event logging in the internal non-volatile memory
Operation software	WorkTime 3 Windows control software

Electric shock protection

Protective grounding and neutral conductors are mounted with crimped original bare copper wire and the 3 controlled sockets are supplied from the relay output of the electrical board with separate, insulated copper wires.

 The devices are CE certified, designed and manufactured according to appropriate regulations.

ProxerStecker4

The ProxerStecker4 includes the 1 and 3-phase sockets in a single frame, its operation and construction is the same as ProxerStecker 2 and 3.

Rights management, authorisation, logging is done with WorkTime for Windows 3 PC software. Sockets can be switched off and on with direct commands from a PC.

